

Technical Data for Profiles.

Extruded Profile

Symbol Al Mg Si 0.5 F 25
 Material number 3.3206.72
 Status: artificially aged

Mechanical values (apply only in pressing direction)

Tensile strength Rm	min. 245 N/mm ²
Yield point Rp0.2	min. 195 N/mm ²
Density	2.7 kg/dm ³
Ductile yield A ₅	min. 10 %
Ductile yield A ₁₀	min. 8 %
Linear coefficient of expansion	23.6x10 ⁻⁶ 1/K
Modulus of elasticity E	approx. 70,000 N/mm ²
Modulus of rigidity G	approx. 25,000 N/mm ²
Hardness	approx. 75 HB -2.5/187.5

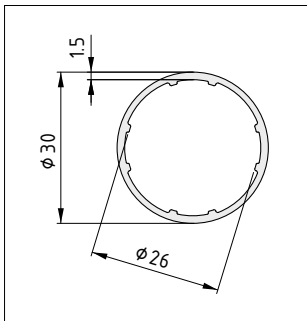
Tolerances

Deformations such as straightness and flatness tolerance to DIN EN 12020 Part 2.
 Profiles not cut to size may be up to 100 mm longer than specified, due to manufacturing methods.

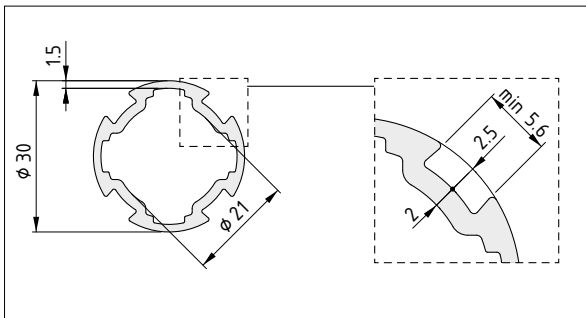
Surface

The aluminium profiles are natural (CO) anodized and are therefore permanently resistant to scratching and corrosion. The surface features a matt finish (E 6), is treated with anodic oxidation and is compressed. Minimum layer thickness 10 µm, layer hardness 250 - 350 HV. The all-round hard anodized surface covering makes saw cuts virtually burr-free, thereby eliminating the need for remachining.

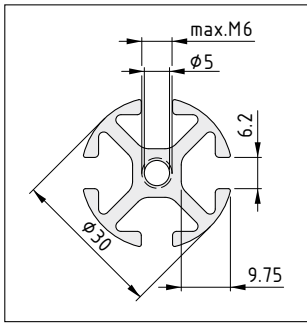
Tube D30



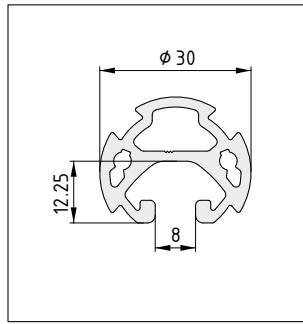
Profile Tube D30



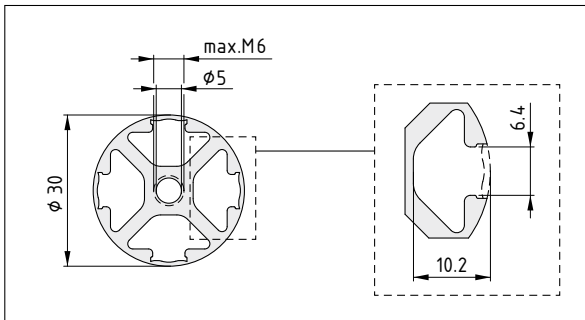
Profile 6 D30



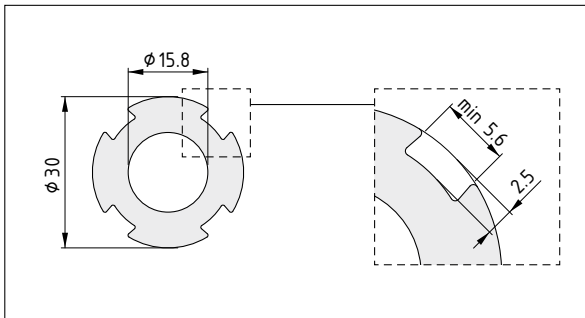
Profile Tube 8 D30



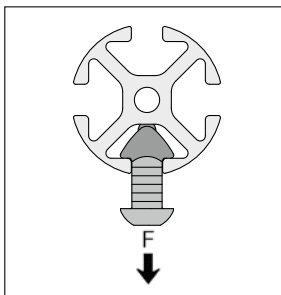
Profile 6 D30 4N



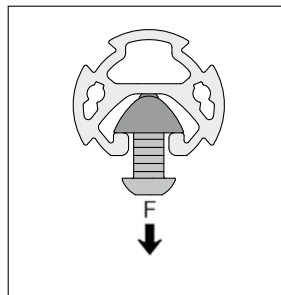
Profile Tube D30 heavy duty



Tensile Loading



$F_{\max} = 3500 \text{ N}$



$F_{\max} = 1500 \text{ N}$